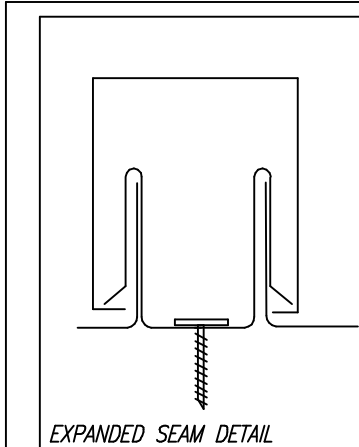


2" WIDE BATTEN

Panels will be produced with a striated stiffening as shown, unless an option is marked.

Option for a smooth surface (NO STIFFENING)

**MODEL WB2000 -- 2" HIGH X 1 1/2" WIDE SNAP BATTEN*



ADVANTAGES :

- SNAP - ON WIDE BATTEN PERMITS LESS PANEL WASTE AT HIPS AND VALLEYS
- POSITIVE SEAM ENGAGEMENT
- EXCEEDS 200 lb> SEAM PULL-OFF TEST
- PREVENTS MOISTURE SEEPAGE
- ALLOWS FOR FREEZE-THAW EXPANSION & CONTRACTION

STANDARD PRODUCT OFFERING SEAM - ON CENTERS

24"
16"
12"

Custom seam on centers available upon request. Consult METAL WORX for more information.

AVAILABLE BASE SHEET MATERIALS

- 24 Gauge HOT DIPPED GALVANIZED G-90
- 24 Gauge GALVALUM
- .32 ALUMINUM
- 16 oz. COLD ROLLED COPPER
- 20 oz. COLD ROLLED COPPER

AVAILABLE FINISH SYSTEM

KYNAR 500 - FLUOROPOLYMER FINISHES ARE STANDARD ON ALL PREFINISHED PRODUCTS.

KYNAR 500® is a registered trademark of Atochem of North America, Inc.
GALVALUM® is a registered trademark of Bethlehem Steel.



metal worx



Systems Inc.

WB2000 Panel